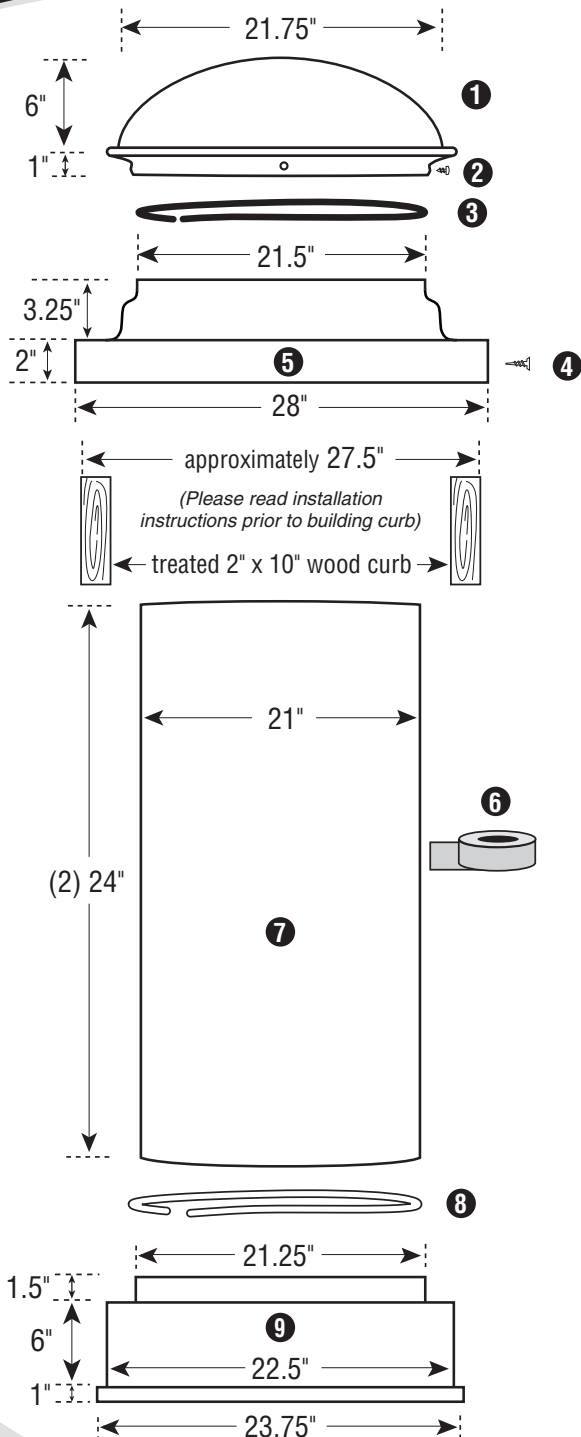


21" Drop Ceiling Tubular Skylight Specifications



21" CURB-MOUNTED FLASHING

1. Clear UV Protected, 100% High Impact Modified Acrylic Dome
2. (4) Phillips Head Stainless Steel 1/4" Sheet Metal Screws
3. Black Nylon Horse Hair Gasket (Self-Adhesive Backed)
4. (4) Flat Head Screws (for light pipe installation/support)
5. Commercial Pure Grade, 1100 Series Aluminum Flashing
6. Heavy Duty Foil Tape
7. Light Pipe, (2) 24" Sections per Kit
8. White Nylon Horse Hair Gasket (Self-adhesive Backed)
9. Powder Coated White Transition Box

COVERAGE AREA

up to 700 sq. ft.

WATTAGE OUTPUT EQUIVALENT

up to 1,450 watts

MAXIMUM TUBE LIGHT LENGTH

20 feet



21" FLAT ROOF FLASHING

